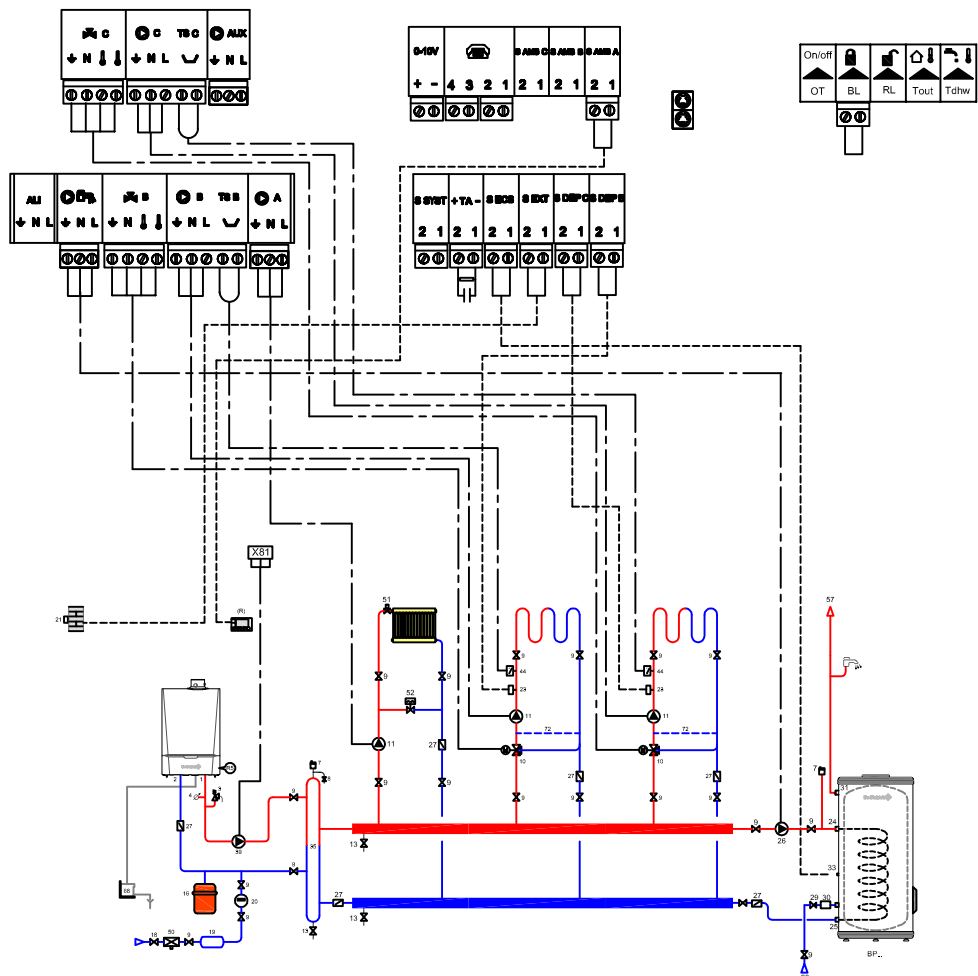


SCHEMATHEQUE 2012

DATE	06/2010	REVIZIA	D			
			C			
			B			
			A			
DOSAR	N° PLAN		Rev.	Date	Elaborator	Modificari



SCHEMATHEQUE 2012



DATE	06/2010	REVIZIA			
D		C			
B		A			
REVIZIA	Date	Elaborator		Modificari	