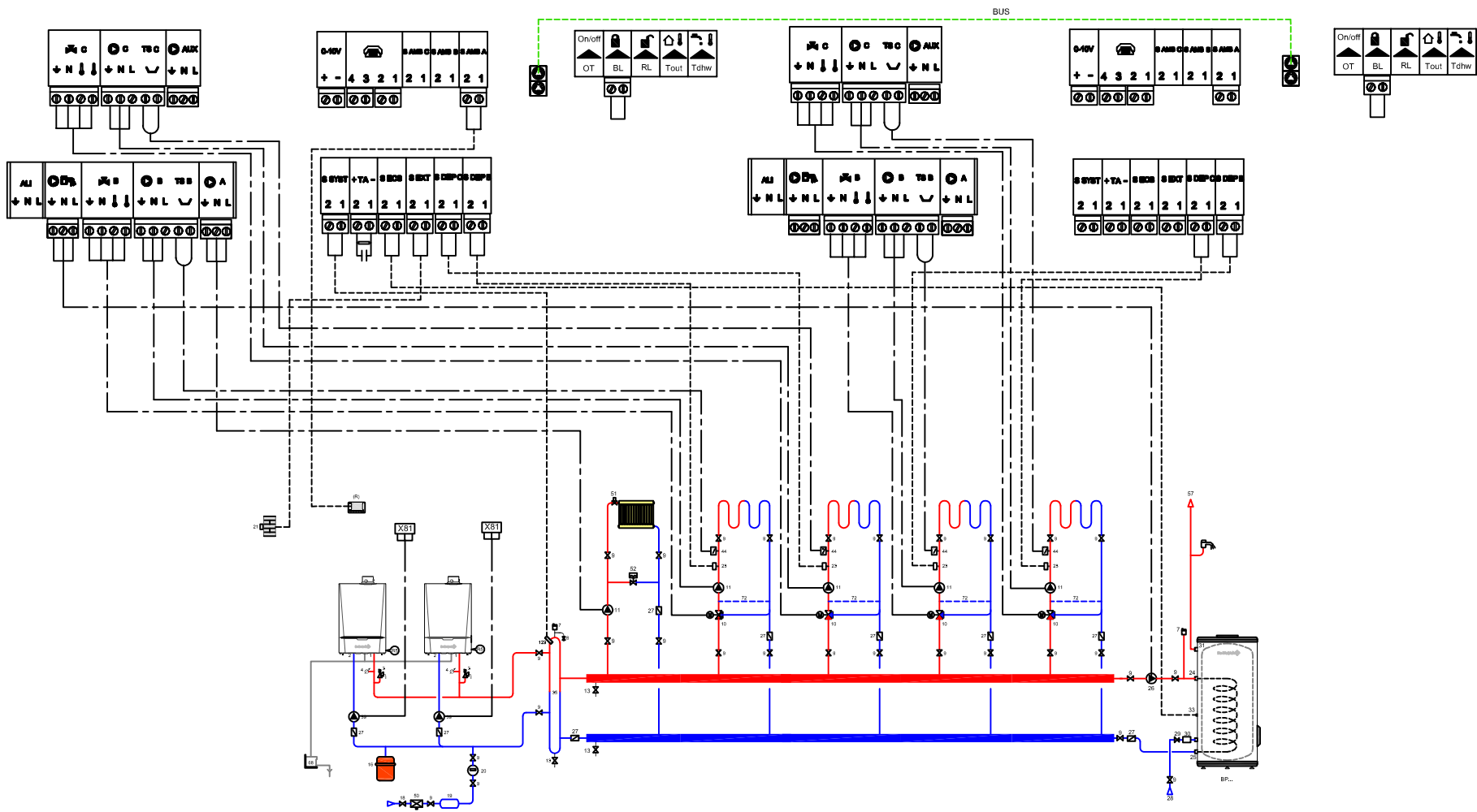


DATE	02/2012	DESIGN	D				
			C				
			B				
			A				
DESIGN	IF PLAN						
Rev.	Date	Elabor				Modifications	

# SCHEMATHEQUE 2012



DATE	02/2012	DESIGN	D				
			C				
			B				
			A				
DESIGN	IF PLAN		Rev.	Date	Elabor	Modifications	

# SCHEMATHEQUE 2012

